

# FLOOD AND TEMPERATURE DETECTOR

## INSTALLATION INSTRUCTIONS

The 2GIG-FT6-345 is a fully supervised, one-way 345 MHz detector. It will detect wet or dry floor conditions as well as the ambient temperature. The detector reports wet/dry conditions and when specific temperature thresholds are exceeded.

### Flood Conditions

Once the detector probe detects the presence of water, the integral transmitter will immediately send a loop 3 wet alarm transmission to the panel. The detector will also send a restore (dry) report when the presence of water is no longer detected. The detector is capable of detecting clean or dirty fresh water, salt water and tap water.

The 2GIG-FT6-345 utilizes a unique design that can detect leaks dripping onto its top or if there is water under the device. This dual sensing technology is perfect for placement under P Traps or hoses that may leak, giving a warning just as the leak starts. If a leak occurs at a different location, it will also be detected when the water is sensed under the device.

### Temperature Conditions

#### Heat:

1. If the temperature is more than 95° F (35°C) for three (3) minutes, the detector will send a loop 2 transmission.
2. If the temperature is less than 95° F (35°C) for three (3) minutes, the detector will send a loop 2 clear.

#### Cold:

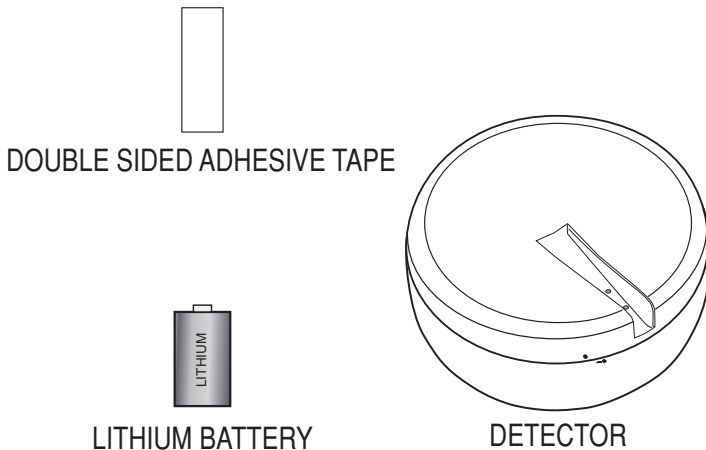
1. If the temperature is less than 41° F (5°C) for three (3) minutes, the detector will send a loop 1 transmission.
2. In the temperature is more than 41° F (5°C) three (3) minutes, the detector will send a loop 1 clear.

### Contents

Verify that the package includes the following:

- 1 — 2GIG Flood/Temperature Detector
- 1 — 3V CR123A Lithium Battery (Installed)
- 1 — Double sided adhesive tape

Figure 1. Temperature/Flood Detector Contents



### Replacing Battery

1. Open Detector Case (as shown in Figures 2 and 3).
2. Remove old battery, and dispose of properly (following state regulations).
3. Install new battery.
4. Close Detector Case.

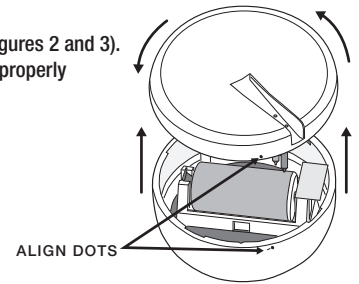
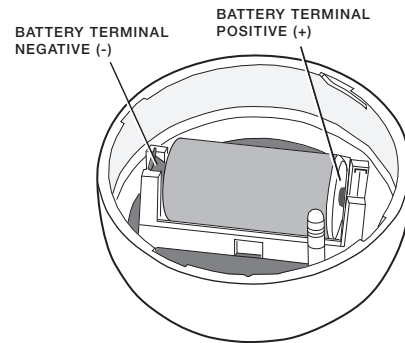


Figure 2. Opening the Detector Case

Grip the base of the detector case. Turn the top cover counter-clockwise to align the dots, then separate the detector case.

Figure 3. Installing New Battery



### Installing Water Detector

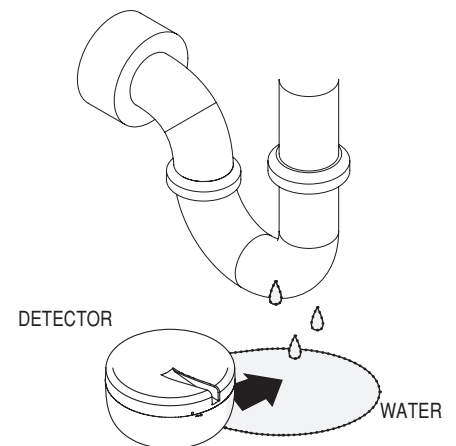
The 2GIG-FT6-345 Flood and Temperature Detector can be easily placed in any location. If placed specifically under a potential leak source, use the included optional double sided adhesive tape to secure it in the desired location (see Figure 4).

Figure 4. Suggested Installation Locations

Place the detector in locations that have the potential of water leaks or flooding.

For example:

- Under the sink pipes
- Adjacent to water heaters
- Adjacent to toilets
- Adjacent to bathtubs or showers
- Under or near your dishwasher
- Near washer and dryer



## Flood Detector Operation

Metal contacts on the top and bottom of the detector can detect the presence of water. Be certain to place the detector in a manner that does not impede the detector's ability to detect water. **NOTE:** Do not place on a metal or conductive surface.

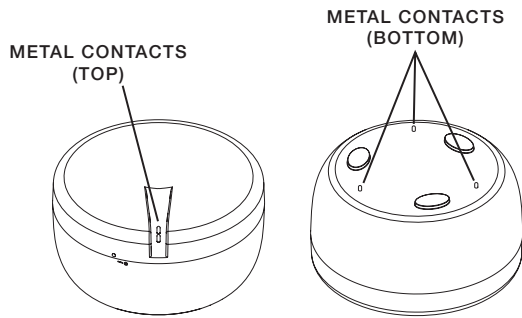


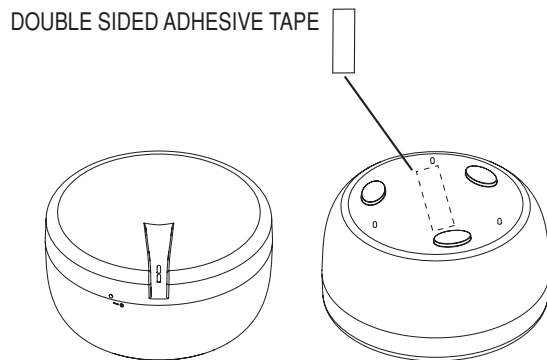
Figure 5. Flood Detector Contacts

## Securing the Detector

In areas where the detector could be accidentally moved, secure the detector in place with the provided double sided adhesive tape.

**NOTE:** Make sure you secure the tape without covering any of the three metal contacts.

Figure 6. Detector Double Sided Adhesive Tape Application



## Flood/Temperature Specifications

Operating Temperature:	32° to 104° F (0° to 40° C)
Operating Rel. Humidity:	5 to 95%, non-condensing
Operating Frequency:	345 MHz
Battery Type:	CR123A 3V lithium battery
Projected Battery Life:	5 Years
Supervisory Interval	70 Minutes

## REGULATORY INFORMATION

This equipment has been tested and found to comply with the limits for Class B Digital Device, pursuant to Part 15 of the FCC Rules. These limits are designed to provide reasonable protection against harmful interference in a residential installation. This equipment generates and can radiate radio frequency energy and, if not installed and used in accordance with the instructions, may cause harmful interference to radio communications. However, there is no guarantee that interference will not occur in a particular installation. If this equipment does cause harmful interference to radio or television reception, which can be determined by turning the equipment off and on, the user is encouraged to try to correct the interference by one or more of the following measures.

Reorient or relocate the receiving antenna

Increase the separation between the equipment and receiver

Connect the equipment into an outlet on a circuit different from that to which the receiver is connected

Consult the dealer or an experienced radio/TV technician for help.

Any changes or modifications not expressly approved by the party responsible for compliance could void the user's authority to operate the equipment.

Le présent appareil est conforme aux CNR d'Industrie Canada applicables aux appareils radio exempts de licence. L'exploitation est autorisée aux deux conditions suivantes: (1) l'appareil ne doit pas produire de brouillage, et (2) l'utilisateur de l'appareil doit accepter tout brouillage radioélectrique subi, même si le brouillage est susceptible d'en compromettre le fonctionnement.

## FCC COMPLIANCE STATEMENT

This device complies with FCC Rules and Regulations as Part 15 devices as well as Industry Canada license exempt RSS Rules and Regulations. Operation is subject to the following two (2) conditions: This device may not cause harmful interference. This device must accept any interference received, including interference that may cause undesired operation.

## INDUSTRY CANADA (IC) COMPLIANCE

This device complies with Industry Canada license-exempt RSS standard(s). Operation is subject to the following two conditions: (1) this device may not cause interference, and (2) this device must accept any interference, including interference that may cause undesired operation of the device. Repairs to certified equipment should be made by an authorized Canadian maintenance facility designated by the supplier. Any repairs or alterations made by the user to this equipment, or equipment malfunctions, may give the telecommunications company cause to request the user to disconnect the equipment. Users should ensure for their own protection that the electrical ground connections of the power utility, telephone lines and internal metallic water pipe system, if present, are connected together. This precaution may be particularly important in rural areas. Users should not attempt to make such connections themselves, but should contact the appropriate electric inspection authority, or electrician, as appropriate.

## LIMITED WARRANTY

This Nortek Security & Control LLC product is warranted against defects in material and workmanship for two (2) years. This warranty extends only to wholesale customers who buy direct from Nortek Security & Control LLC or through Nortek Security & Control normal distribution channels. Nortek Security & Control does not warrant this product to consumers. Consumers should inquire from their selling dealer as to the nature of the dealer's warranty, if any.

There are no obligations or liabilities on the part of Nortek Security & Control for consequential damages arising out of or in connection with use or performance of this product or other indirect damages with respect to loss of property, revenue, or profit, or cost of removal, installation, or reinstallation. All implied warranties for functionality, are valid only until the warranty expires. This Nortek Security & Control Warranty is in lieu of all other warranties expressed or implied.

## Nortek Security & Control LLC | 2GIG

5919 Sea Otter Place, Suite 100  
Carlsbad, CA 92010 USA



### For technical support in the USA and Canada:

855-2GIG-TECH (855-244-4832)

Email: [2gigtechsupport@nortekcontrol.com](mailto:2gigtechsupport@nortekcontrol.com)

Visit [www.nortekcontrol.com](http://www.nortekcontrol.com) for technical support hours of operation.

### For technical support outside of the USA and Canada:

Contact your regional distributor.

Visit [www.2gig.com/dealers/](http://www.2gig.com/dealers/) for a list of distributors in your region.



10021591 A